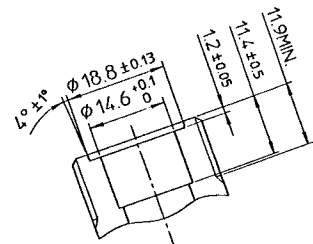
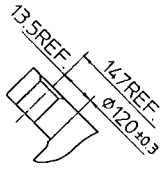


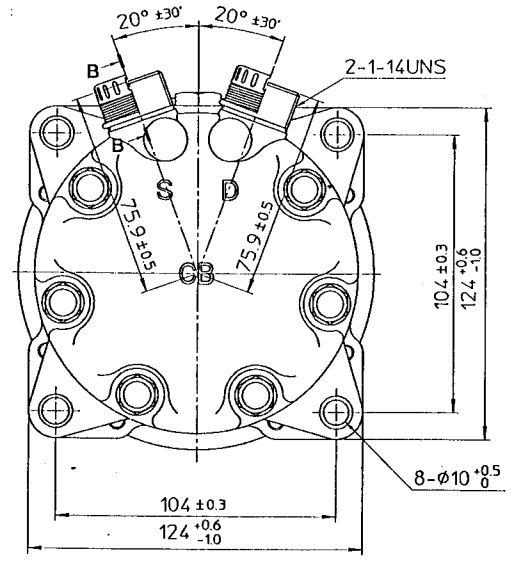
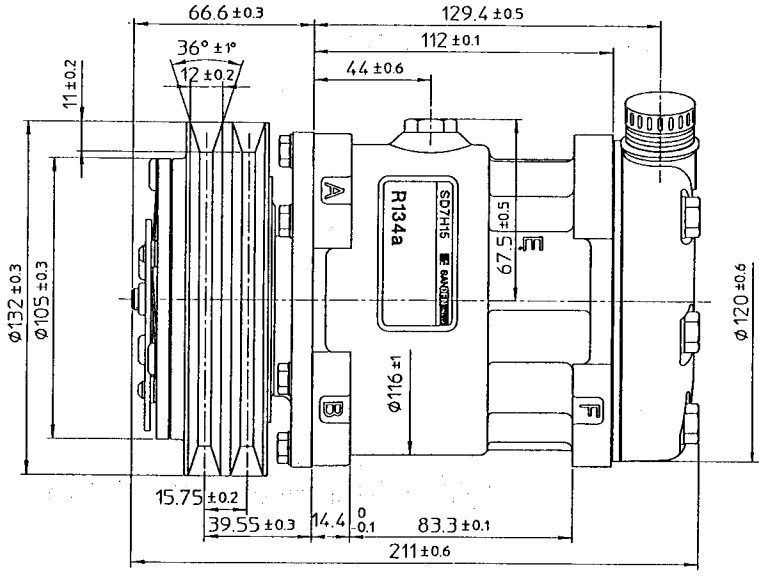
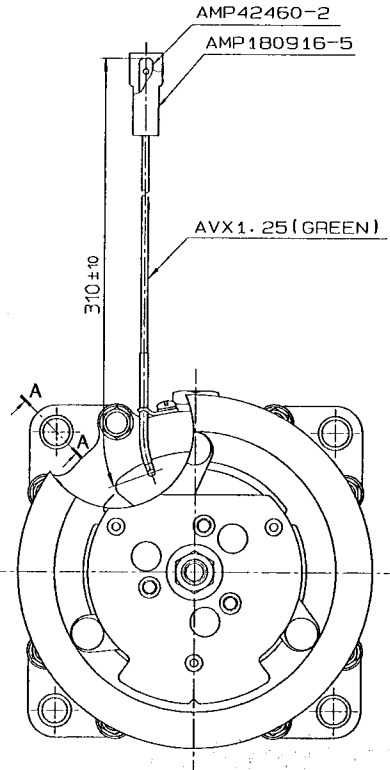
SIE UNCONTROLLED COPY
FOR INFORMATION ONLY
INITIAL DC
DATE 19/5/03



PARTIAL SECT. B-B (2:1)



PARTIAL SECT. A-A



COMPRESSOR SPECIFICATIONS

BORE	∅ 29.3 mm (1.15 in.)
STROKE	32.8 mm (1.29 in.)
DISPLACEMENT PER REVOLUTION	154.9 cc/rev (9.5 cuin./rev.)
NUMBER OF CYLINDERS	7
MAXIMUM ALLOWABLE r.p.m.	7000 r.p.m.
MAXIMUM ALLOWABLE CONTINUOUS r.p.m.	6000 r.p.m.
REFRIGERANT	R-134a
OIL (SP-20)	135 cc (4.6 fl.oz.)
WEIGHT	kg (lb)

CLUTCH SPECIFICATIONS

RATED VOLTAGE	DC 24 V
BREAKAWAY TORQUE	3.5 kg-m (25.3 ft.-lb)
MINIMUM ENGAGEMENT VOLTAGE	16 V MAX.
POWER CONSUMPTION	42 W (CU)
MAXIMUM ALLOWABLE r.p.m.	7000 r.p.m.
MAXIMUM ALLOWABLE CONTINUOUS r.p.m.	6000 r.p.m.
BELT TYPE	A TYPE
PULLEY DIAMETER	∅ 132 mm (5.2 in.)
WEIGHT	kg (lb)

Handwritten signature: *Smithell*
 Date: *30.1.09*

MATERIAL	PART NO. 7872	NAME COMPRESSOR
THIRD ANGLE PROJECTION	SCALE 1:1	
DESIGN BY <i>R. Beale</i>	DATE 11 DEC 1992	MODEL SD7H15CB7872
CHECKED BY <i>R. Chyral</i>	DATE 11 DEC 1992	DRAWING NO. 7872-6000
CHECKED BY <i>J. Jankogoch</i>	DATE 11 DEC 1992	
NO.	REVISION RECORD	BY DATE