

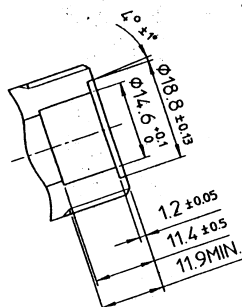
SIE UNCONTROLLED COPY
FOR INFORMATION ONLY

INITIAL

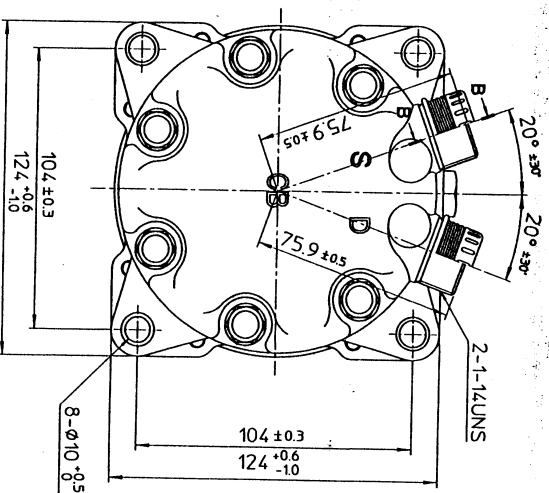
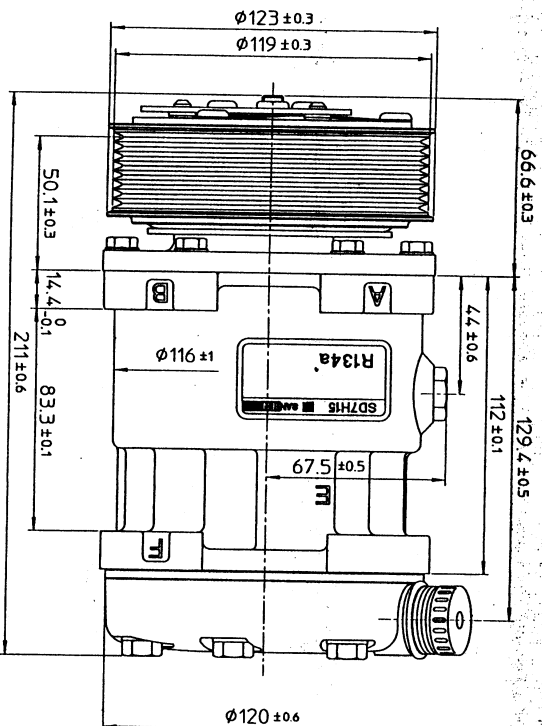
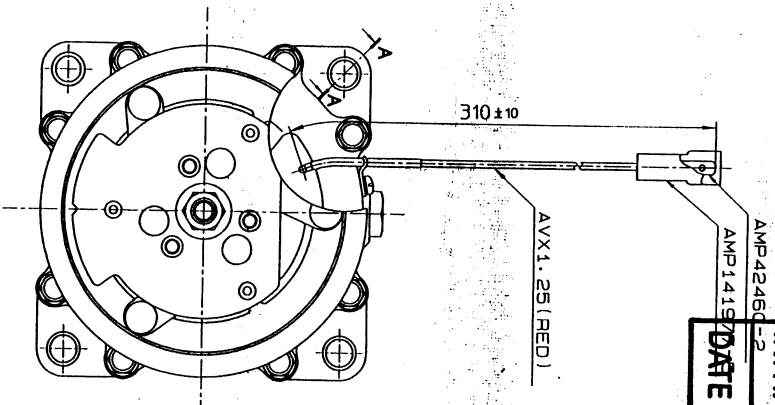
DATE 28/11/02

PARTIAL SECT. A-A

DETAIL OF ROTOR GROOVE (2:1)



PARTIAL SECT. B-B (2:1)



COMPRESSOR SPECIFICATIONS

BORE	Ø 29.3	mm (1.15 in.)
STROKE	32.8	mm (1.29 in.)
DISPLACEMENT PER REVOLUTION	154.9	cc/rev (9.5 cu.in/rev)
NUMBER OF CYLINDERS	7	
HASHMIN ALLOWABLE L.R.M.	7000	r.p.m.
HASHMIN ALLOWABLE CONTINUOUS L.R.M.	6000	r.p.m.
REFRIGERANT	R-134a	
OL (PAG)	135	cc (4.6 fl.oz.)
WEIGHT		kg (l. lb.)

CLUTCH SPECIFICATIONS

RATED VOLTAGE	DC 12 V	
BREAKAWAY TORQUE	3.5	kg-m (25.3 ft.-lb.)
MINIMUM ENGAGEMENT VOLTAGE	7.5	V MAX
POWER CONSUMPTION	49	W (CU)
HASHMIN ALLOWABLE L.R.M.	7000	r.p.m.
HASHMIN ALLOWABLE CONTINUOUS L.R.M.	6000	r.p.m.
BELT TYPE	PV	TYPE
PULLEY DIAMETER	Ø 119	mm (4.7 in.)
WEIGHT		kg (l. lb.)

RECEIVED BY: I will be
 DATE: 29.11.02

NO.	REVISION RECORD	BY	DATE
1			
2			
3			
4			
5			
6			
7			
8			
9			
10			

DESIGNED BY: *[Signature]* CHECKED BY: *[Signature]* DRAWING NO: SD7H15CB7850
 DATE: 2.11.02 DATE: 7.11.02
 PART NO: COMPRESSOR SCALE: 1:1
 NAME: COMPRESSOR
 SANDEN CORPORATION SANDEN INTERNATIONAL CORPORATION
 7850 - 6000