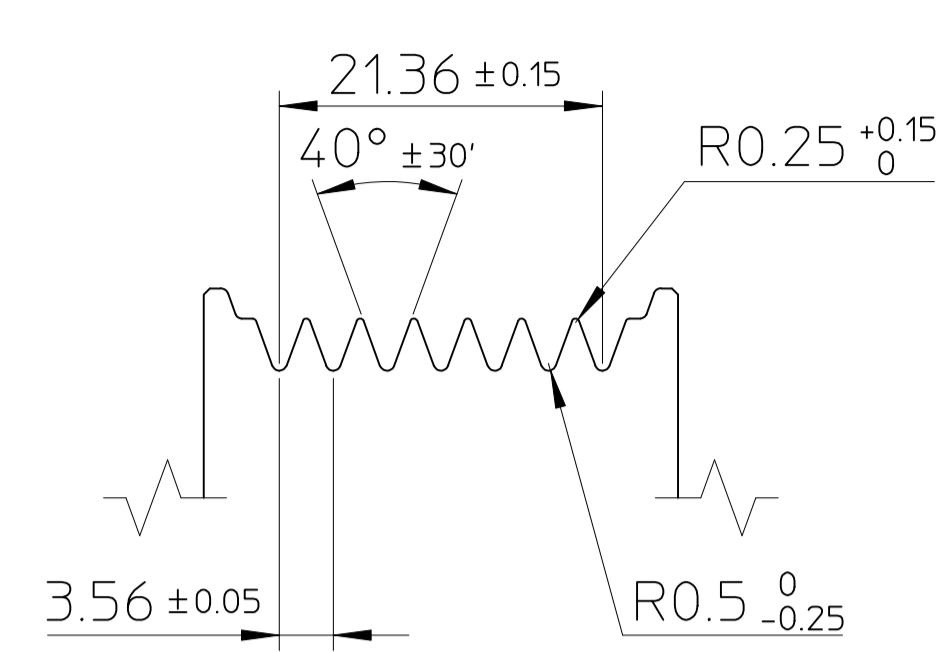
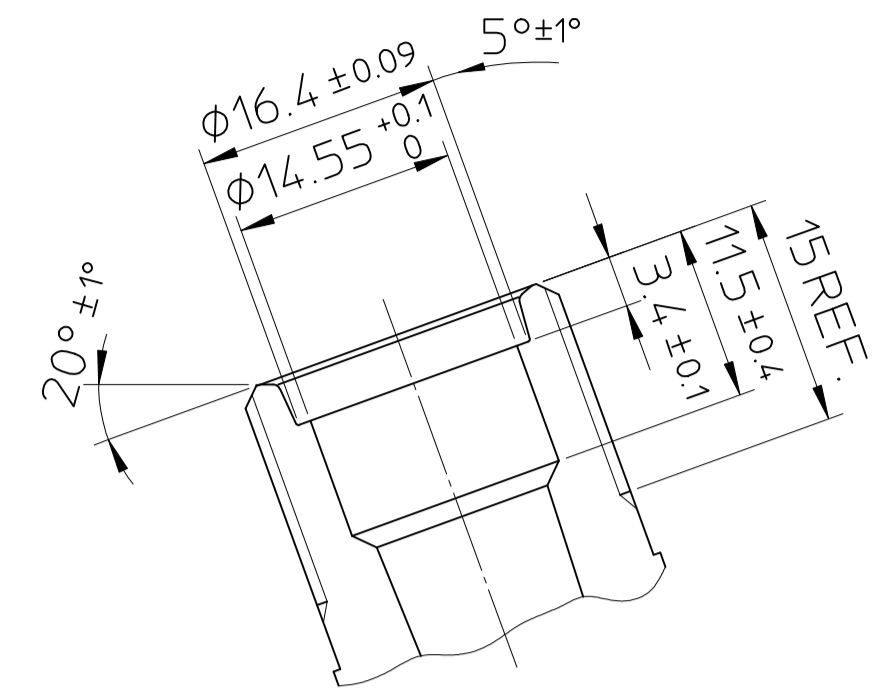


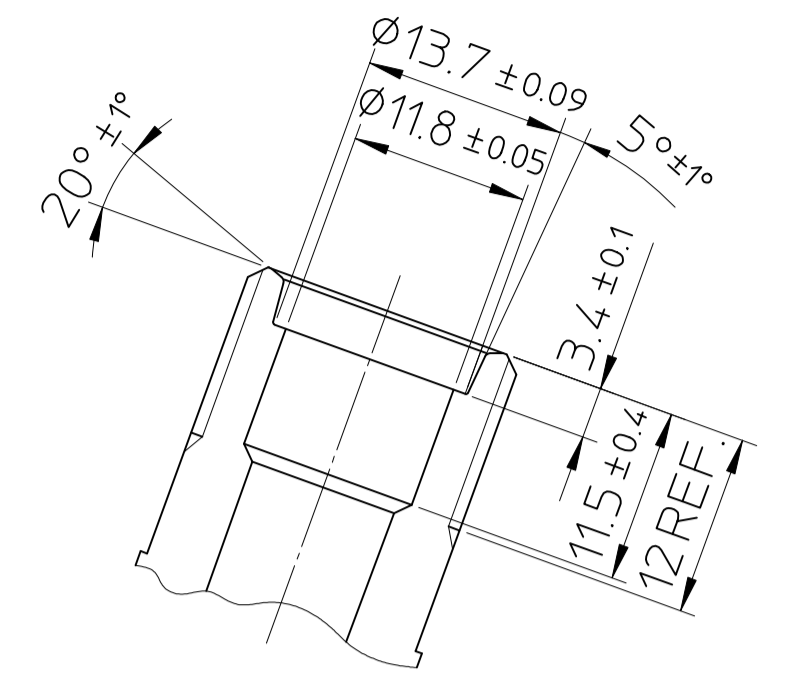
PARTIAL SECT. A-A



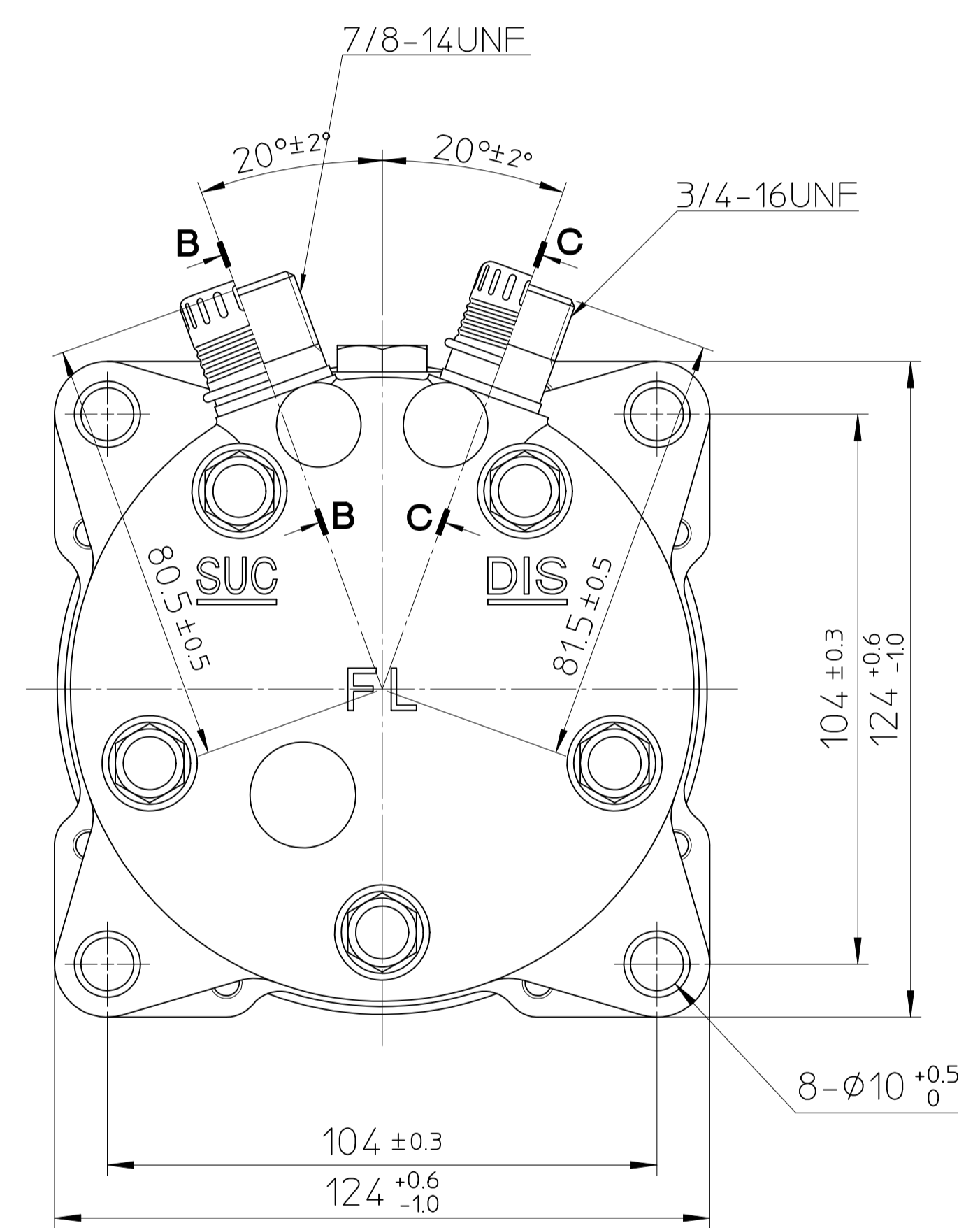
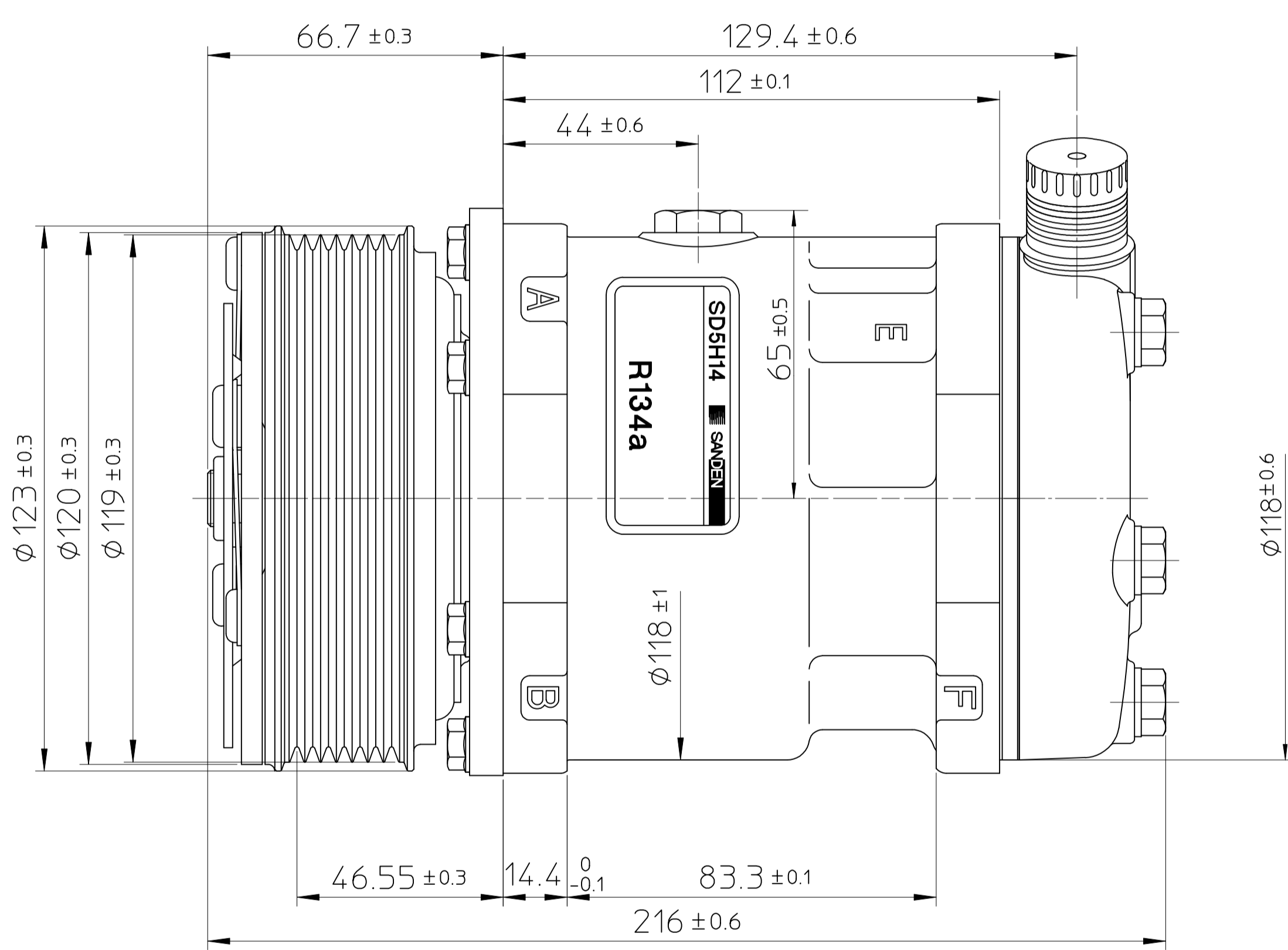
DETAIL OF ROTOR GROOVE(2:1)



PARTIAL SECT. B-B(2:1)



PARTIAL SECT. C-C(2:1)



**COMPRESSOR SPECIFICATIONS**

BORE	Ø35	mm ( 1.38 in.)
STROKE	28.6	mm ( 1.13 in.)
DISPLACEMENT PER REVOLUTION	138	cc/rev.( 8.4 cu.in./rev.)
NUMBER OF CYLINDERS	5	
MAXIMUM ALLOWABLE r.p.m.	7000	r.p.m.
MAXIMUM ALLOWABLE CONTINUOUS r.p.m.	6000	r.p.m.
REFRIGERANT	R-134a	
OIL (SP-20 OR EQUIV.)	175	cc ( 5.9 fl.oz.)
WEIGHT		kg ( lb)

**CLUTCH SPECIFICATIONS**

RATED VOLTAGE	DC 12 V
BREAKAWAY TORQUE	3.5 kg-m ( 25.3 ft-lb)
MINIMUM ENGAGEMENT VOLTAGE	7.5 V MAX.
POWER CONSUMPTION	50 W ( AL )
MAXIMUM ALLOWABLE r.p.m.	7000 r.p.m.
MAXIMUM ALLOWABLE CONTINUOUS r.p.m.	6000 r.p.m.
BELT TYPE	PV TYPE
PULLEY DIAMETER	Ø119 mm ( 4.7 in.)
WEIGHT	kg ( lb)

**6629**

**UNCONTROLLED COPY**

△		MATERIAL	PART NO.	6629	NAME	COMPRESSOR
△		THIRD ANGLE PROJECTION	SCALE	1 : 1		
△		DESIGNED BY	DATE	28, JUL, 1995	MODEL	SD5H14FL6629
△		CHECKED BY	DATE	29, JUL, 1995	DRAWING NO.	6629-6000
△		APPROVED BY	DATE	7, AUG, 1995		A
NO.		REVISION RECORD	BY	DATE		